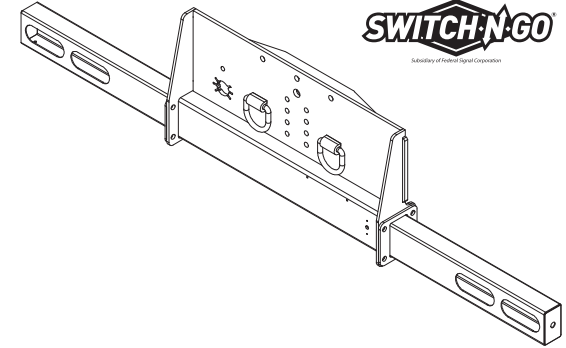


Versa-Fit™

BUMPER SYSTEM

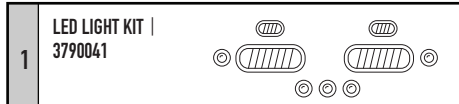
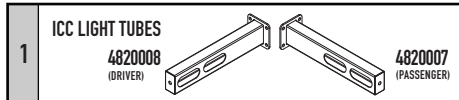
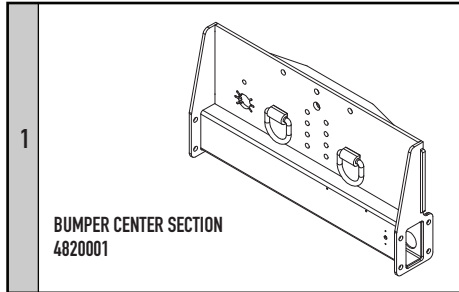
WELD-ON INSTALLATION

PRODUCT OF
SWITCH-N-GO
A Division of Switchgear Corporation



PARTS INCLUDED

QTY	PART NUMBER	DESCRIPTION
8	9120087	5/8-11 X 1.75" Hex Head Bolt
8	9340021	5/8-11 Flanged Nut
1	1830027	1/2-13 Eye Bolt
2	9180077	1/4 x .75" Self-Tapping Screw
4	9290171	#8-32 X 1" Flanged Screw
4	9430024	#8-32 Lock Nut
2	9180046	8 x .75" Self-Tapping Screw
1	9430009	1/2-13 Lock Nut



TOOLS REQUIRED

- 21/32" Drill Bit
- Standard Socket Set (15/16", 8/32", 1/4", 1/2")
- Screwdrivers

⚠ WARNING // Wear protective gear.

📌 NOTICE // Ensure the rear chassis ends of the vehicle are square and even with the chassis frame and is clear of obstructions, taillights, brackets or additional components/equipment.

📌 NOTICE // Remove the lights.

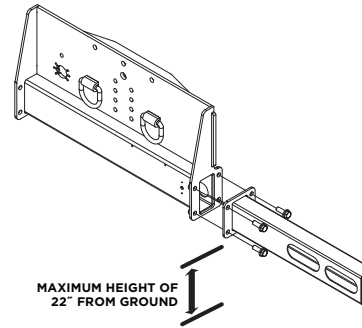
INSTALLATION



SAE J684 and J847 Tested

1 Attach with (4) 5/8" x 1.75" bolts & nuts each. Torque to 160 lbs-ft.

Ensure the bumper side tubes height is no greater than 22" from the ground.



📌 NOTICE // ²Upfitted vehicle must fit requirement of Chassis Cab and upfitted with Dual Rear Wheel (DRW). Contact your local vehicle manufacturer dealer/distributor for any brand or vehicle harness/ adapter not provided.

📌 NOTICE // If no taillight harness adapter is available for your selected vehicle, utilize the universal vehicle taillight harness adapter. Utilize the taillight wire diagram shown on page 2 in addition to reviewing vehicle manufacturer upfit documentation before wiring the vehicle to the bumper. Ensure to secure the harness away from pinch points or moving components.

2 Install backup camera and taillight harness

- Feed the marker lights wire through each of the side tubes and out the holes at the end.
- Plug the end of indicator wire to marker indicator, and press back into the side tube hole.
- Feed each of the oval rear light wires through each of the side tubes and out the oval holes.
Tip: Yellow wires go towards driver side.

- Plug the (2) STTR (Stop, Turn, Tail, Reverse) rear light wires into the oval STTR light and press back into the inside cut-out.

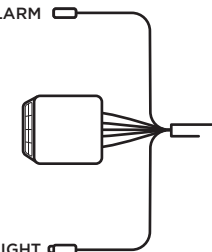
- Plug the STTRS (Stop, Turn, Tail, Reverse, Strobe) light wires into the oval STTRS light and press back into the outside cut-out

- Feed the (3) center indicator lights, to each of the holes at the center.

- Feed the License Plate Light and attach with screws and nuts provided.

PIN	WIRE COLOR	FUNCTION
1	YELLOW	STOP / TURN - DRIVER SIDE
2	BROWN	RUNNING / MARKER - DRIVER SIDE
3	WHITE	GROUND
4	-	NOT USED
5	BLUE	REVERSE - DRIVER SIDE
6	BROWN-GREEN	RUNNING / MARKER - PASSENGER SIDE
7	BLUE-YELLOW	REVERSE - PASSENGER SIDE
8	GREEN	STOP / TURN - PASSENGER SIDE

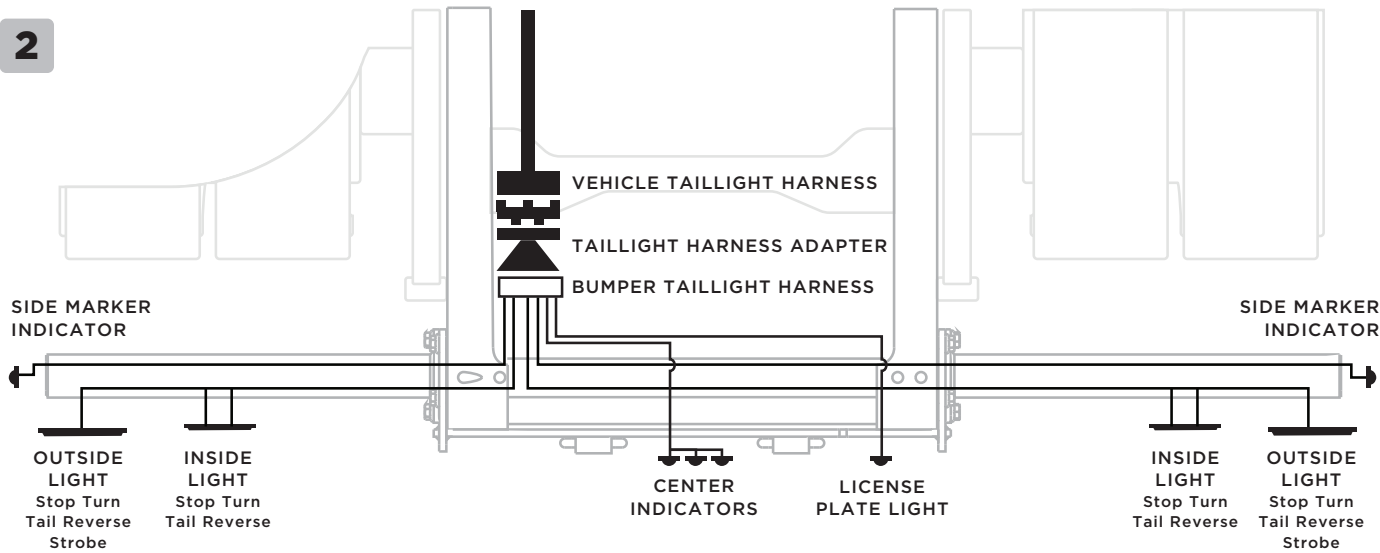
BARREL FEMALE // BLUE WIRE // BACKUP ALARM



BARREL MALE // RED WIRE // STROBE LIGHT

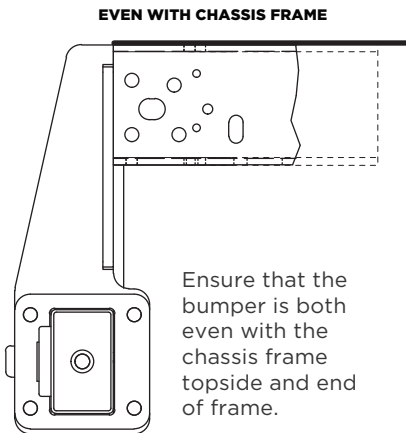
CONTINUED
ON PAGE 2

2



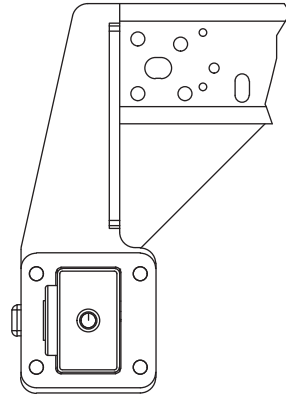
3

Lift bumper center section into place by centering bumper with frame and aligning the top of the bumper with the top of the chassis and clamp into place.



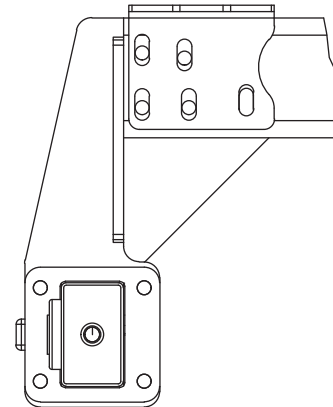
4a

Install without Hoist
After alignment, weld bumper to chassis. Attach 2720010 on bottom side of frame.



4b

Install with Hoist
After alignment, weld bumper to chassis. Attach 2720010 on bottom side of frame. Keep the mounting brackets parallel to the frame and flat to each other.



BUMPER TAILLIGHT HARNESS

Manufacturer	Vehicle Model	Vehicle Year	Part # ¹
Ford	F350, F450	2017 - Current	3790022
	F550, F600	2017 - Current	3790022
	F-650, F750	2018 - Current	3790056
Chevrolet	3500HD ² , 4500HD, 5500HD, 6500HD	2019 - Current	3790045
		Previous to 2019	3790040
Ram	3500, 4500, 5500	2017 - Current	3790026
International	CV	2019 - Current	3790045
VEHICLE MANUFACTURERS/MODELS NOT-LISTED			3790040

REAR VIEW HARNESS

Manufacturer	Vehicle Model	Vehicle Year	Part # ¹
Ford	F350 ² , F450	2019 - Current	3190708
		2017 - 2019	3190709
Ram	3500, 4500, 5500	2020 - Current	3790027
		2013 - 2019	3190713
		2013 - 2017	3190712
Chevrolet	3500HD ² , 4500HD, 5500HD, 6500HD	2016 - 2018	3190704
VEHICLE MANUFACTURERS/MODELS NOT-LISTED			3190165

MAINTENANCE

Perform the following every 3,000 miles or 3 months, whichever comes first.

1. Clean and inspect for proper operation.
2. Check the mounting bolts for proper torque.
3. Inspect, in particular, the coupling area.
Replace when wear exceeds 1/8" (.125") from the original surface profile.
4. Inspect for worn, damaged or missed parts.
Replace as required.
5. Regularly lubricate latch and lock pivots with a light oil lubricant.
6. Check lights are operating properly.

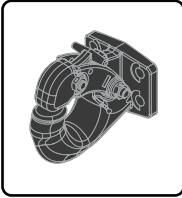
WARRANTY INFORMATION

Switch-N-Go®, a subsidiary of Deist Industries Inc™ warrants that the Goods shall be free from defects in materials or workmanship under normal use and service for a period of one (1) year from the date of purchase by the Buyer or eighteen (18) months from the date of delivery of the Goods to the Switch-N-Go distributor, whichever elapses first. For full list of warranty coverage/exclusion and or limitations reference Deist terms and conditions (OS-105).

TOWING APPLICATIONS

Trailers and equipment must be designed for over-the-road towing under 20,000 lbs. or otherwise stated capacities, whichever is lower. For off-road applications, reduce the capacities listed above by 25% and use in conjunction with a swivel-type drawbar.

HITCH ACCESSORIES



Pintle • 20 TON Pintle Hook

Hitch Capacities

40,000lbs Max Trailer Weight

Drawbar Eye Dimensions

2" to 3" I.D. with 1-1/4" to 1-5/8" diameter section

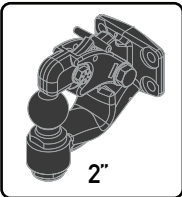
⚠ WARNING // It is the user's responsibilities to be sure that the pintle hook mounting surface is capable of 40,000lbs gross trailer weight.

Mounting

1. Use a mounting structure of sufficient strength to support the rated capacity of the pintle hook in accordance with SAE J849b.
2. Use four 9/16" - 18 UNF grade 8 bolts and torque to 129ft-lbs.

Pintle Hook Operating Instructions

1. Before operating, inspect for proper operation, worn, damaged or missing parts and secure mounting. Correct as required before use.
2. Open latch by removing safety pin and lifting lock.
3. Position drawbar eye over the horn of the pintle and lower into place.
4. Push latch closed and insert safety pin. Secure pin with spring retainer.



Combo Ball/Pintle • 10 TON Combination Hitch

Hitch Capacities

20,000lbs Max Trailer Weight

Drawbar Eye/Ball Hitch Dimensions

2 3/8" - 3" I.D. with 1 1/4" - 1 9/16" diameter throat
2", 2 5/16" SAE J684 Ball Hitch Coupler

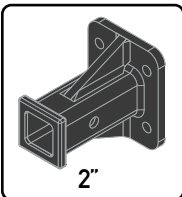
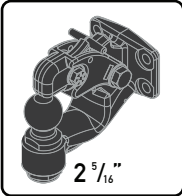
⚠ WARNING // It is the user's responsibilities to be sure that the combo ball/pintle hook mounting surface is capable of 20,000lbs gross trailer weight.

Mounting

1. Use a mounting structure of sufficient strength to support the rated capacity of the pintle hook in accordance with SAE J849b.
2. Use four 9/16" - 18 UNF grade 8 bolts and torque to 129ft-lbs.

Ball Hitch Operating Instructions

1. Before operating, inspect for proper operation, worn, damage, or missing parts and secure mounting. Correct as required before use.
2. Open latch before removing safety pin, pull lock while lifting latch.
3. Replace safety pin in hole to retain latch in open position.
4. Position ball coupler over the proper size ball and lock into place, following the instructions of the coupler manufacturer.



Receiver Tube • 10 TON Receiver Tube

Hitch Capacities

20,000lbs Max Trailer Weight

Receiver Tube Dimensions

2" - 2 1/2" Square

⚠ WARNING // It is the user's responsibilities to be sure that the receiver tube mounting surface is capable of 20,000lbs gross trailer weight.

Mounting

1. Use a mounting structure of sufficient strength to support the rated capacity of the hitch receiver in accordance with SAE J849b.
2. Use four 9/16" - 18 UNF grade 8 bolts and torque to 129ft-lbs.

Hitch Receiver Operating Instructions

1. Before operating, inspect for proper operation, worn, damage, or missing parts and secure mounting. Correct as required before use.
2. Insert the shank into the receiver tube.
3. Line up the holes of the shank and receiver tube.
4. Secure the mount using a pin/clip or a hitch lock.

