

INSTALLATION INSTRUCTIONS

Switch-N-Go

Switch-N-Go Tower System

Related Instructions,
How-To Videos & More



[PDF: Ratchet Operation](#)



[YouTube: Ratchet Operation](#)



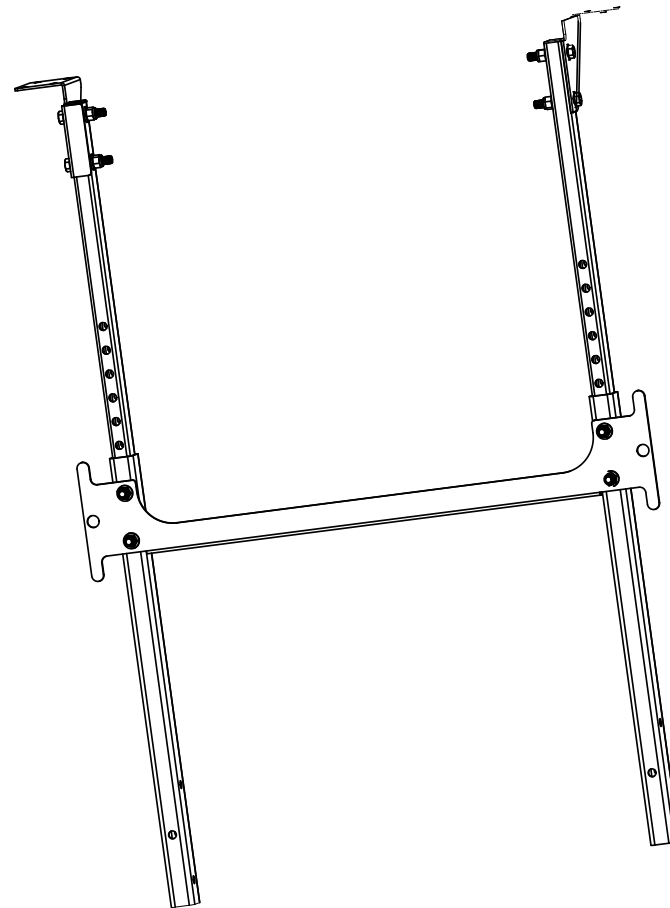
[PDF: Ratchet Wind Matrix](#)



[YouTube: Extending & Retracting Tarp](#)



[WEB: Roll-Rite Technical Manuals](#)



ATTENTION

DURING INSTALLATION, SOME FABRICATION MAY BE REQUIRED.

Document #: P/#108824
Revised: 11/27/24 WLH



Table of Contents

Tools & Parts

Recommended Tools & Included Components..... 2

Spool Kit #108063 3

Tower Assembly #108700..... 4

Tower Assembly #108719 5

System Installation

Installing Custom Mounting Brackets..... 7

Installing the Tower to the Custom Brackets 8

Installing Head Set Brackets to Tower Legs..... 9

Adding the Tarp and Pullbar..... 10-11

Adding Spring Tension to Roller Tube using Ratchet 12-13

Releasing Spring Tension from Ratchet..... 14



TOOLS & PARTS

INSTALLATION INSTRUCTIONS

Switch-N-Go

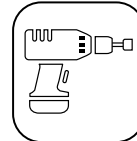
Recommended Tools & Included Components



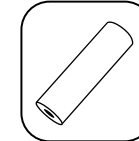
Safety Glasses and Gloves



Cordless Drill



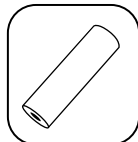
Cordless Impact Wrench



15/16" Socket



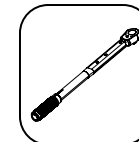
3/4" & 15/16" Wrench



3/4" Socket



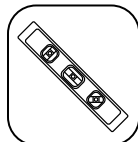
21/32" Drill Bits



Torque Wrench



Measuring Tape



Bubble Level

Components Included:

- Custom Frame Mounting Brackets
- Bolt Together Stationary Tower Assembly
- Spring Loaded Tarp Headset
- Tarp
- Pull Bar
- Rope

Note: All necessary mounting hardware will also be included.

INSTALLATION INSTRUCTIONS

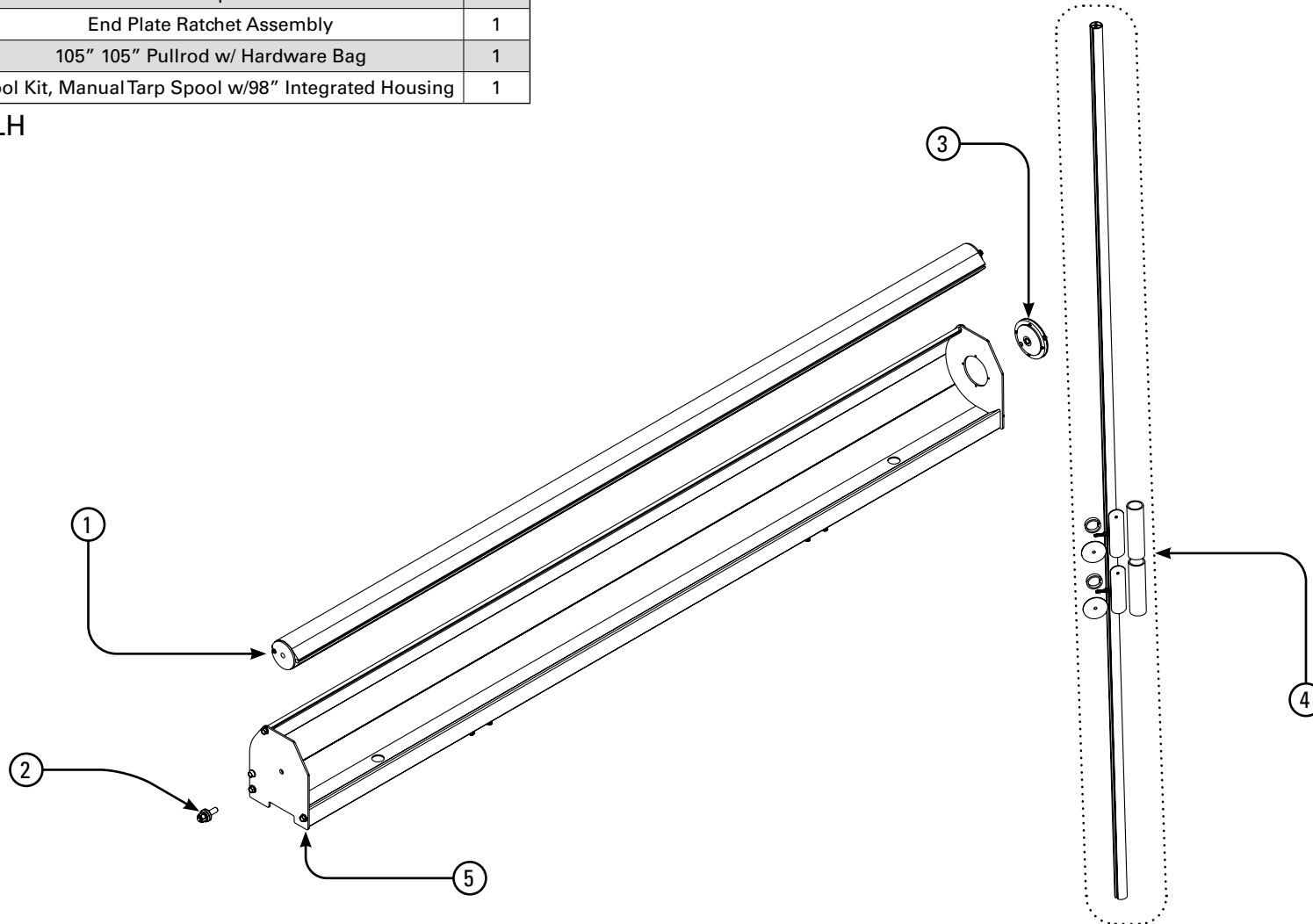
Switch-N-Go

ITEM	PART #	DESCRIPTION	QTY
1	108539	Aluminum Spring Roller	1
2	501-0632	Stud Kit: Super Shield	1
3	501-0630	End Plate Ratchet Assembly	1
4	501-0420	105" 105" Pullrod w/ Hardware Bag	1
5	108068	Spool Kit, Manual Tarp Spool w/98" Integrated Housing	1

Spool Kit #108063

Manual Tarp Spool w/98" Integrated Housing

REV. 08/13/24 WLH



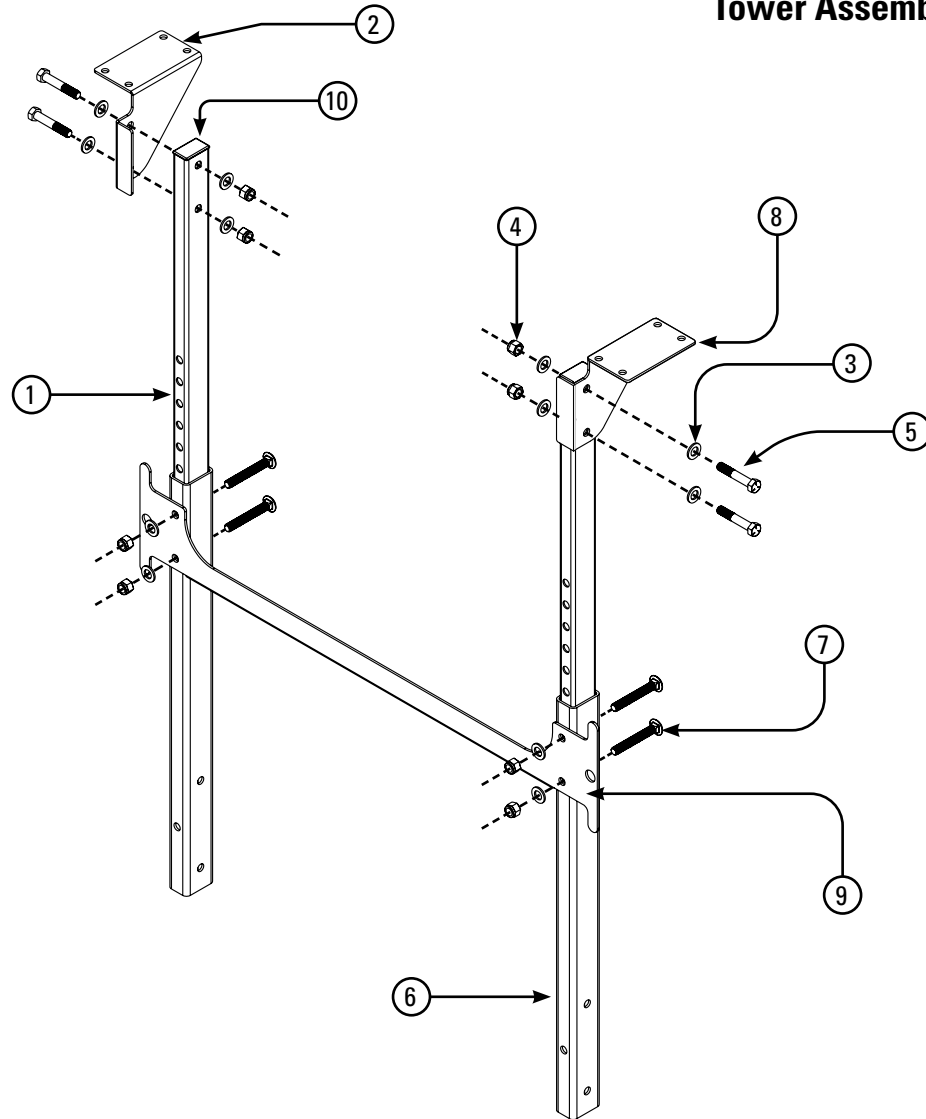
INSTALLATION INSTRUCTIONS

Switch-N-Go

Tower Assembly #108700

ITEM	PART #	DESCRIPTION	QTY
1	108698	Upper Tower Steel Tube	2
2	108701	Tower Upper Offset Bracket	1
3	18417	Washer, 5/8" Flat SAE, Zinc	12
4	18587	Nut, 5/8"-11 Nylock - Grade 8	8
5	503-6201	5/8-11X 3 1/2 UNC Bolt, Grade 5, Uplated	4
6	108699	Lower Tower Steel Tube	2
7	108727	Grade 5 Steel Square-Neck Carriage Bolt Zinc	4
8	108702	Tower Upper Offset Bracket	1
9	108704	Tower Cross Support	1
10	108733	Rectangular Plugs 1.5 x 2.5	2

REV. 08/13/24 WLH



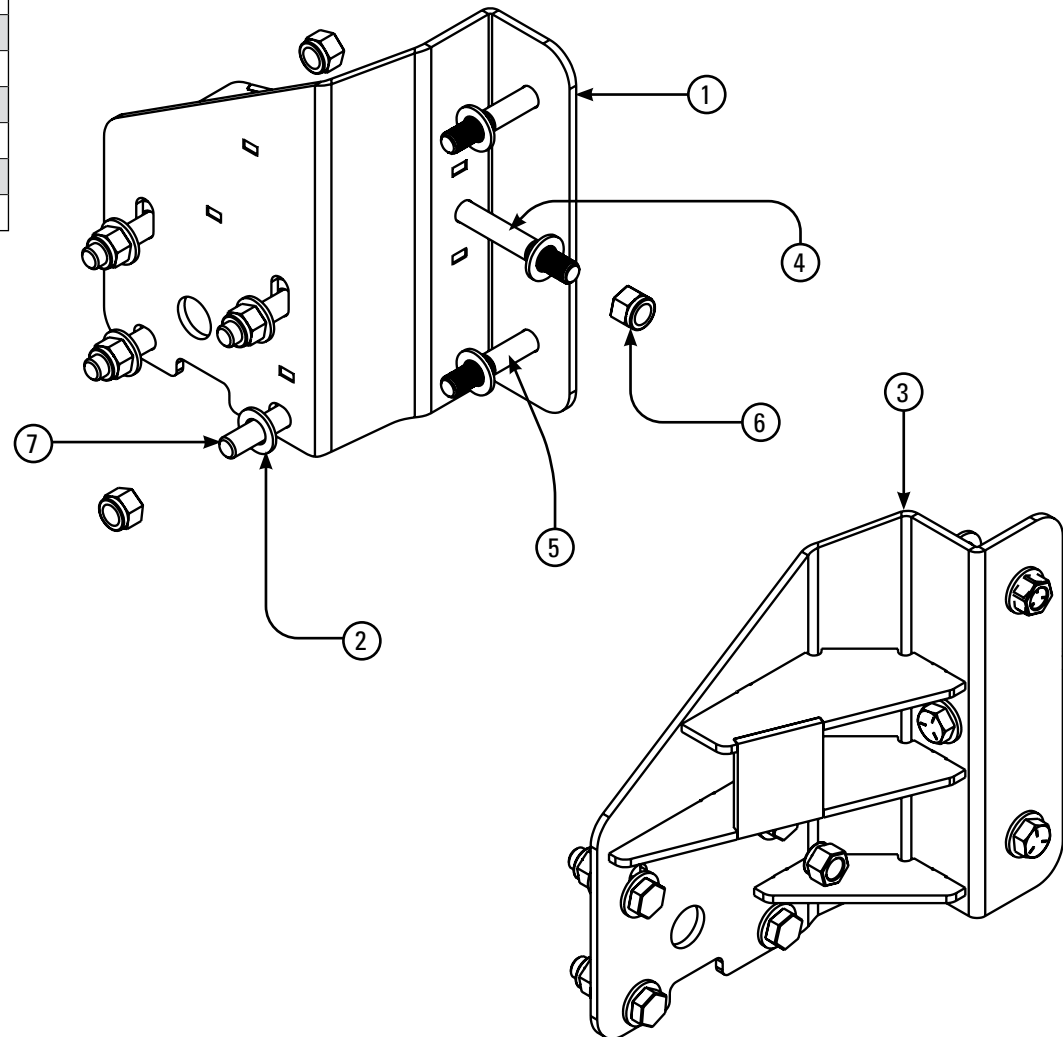
INSTALLATION INSTRUCTIONS

Switch-N-Go

Tower Assembly #108719

ITEM	PART #	DESCRIPTION	QTY
1	108695	Frame Tower Mtg Brkt Wldmnt SS	1
2	18417	Washer, 5/8" Flat SAE, Zinc	28
3	108697	Tower Frame Mtg Bkt Wldmnt CS	1
4	108574	Hex Head Screw, 5/8"-11, 4.5", Grade 5	2
5	503-6201	5/8-11X 3 1/2 UNC Bolt, Grade 5, Unplated	4
6	18587	Nut, 5/8"-11 Nylock - Grade 8	14
7	18713	5/8" x 2 1/2" Bolt	8

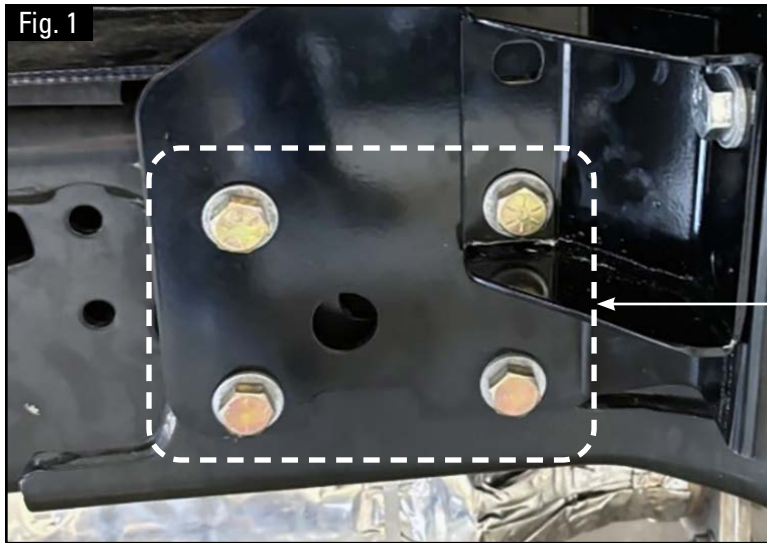
REV. 08/13/24 WLH





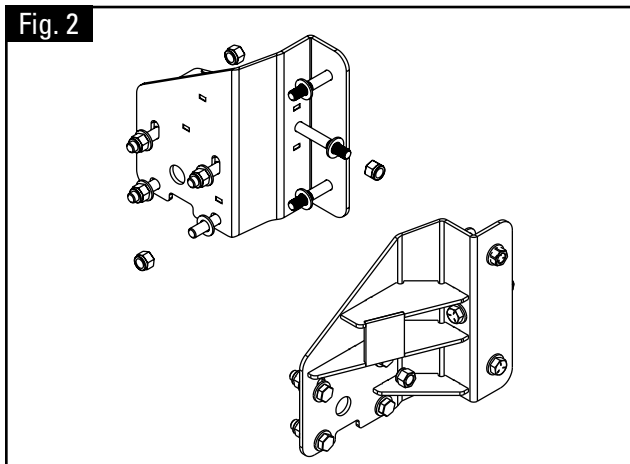
SYSTEM INSTALLATION

Installing Custom Mounting Brackets



Step 1: Switch-N-Go tower assemblies will require you to install the custom mounting brackets securely to the frame rail of the specific vehicle (Fig. 1).

Four Mounting Bolts securing mounting brackets to frame rail.



Step 2: Using the provided brackets, some configurations may need to have holes drilled into the frame in order to attach them to the frame (Fig. 2).

Ford chassis requires (4) 21/32" holes to be drilled using the bracket as a template for alignment and placement of necessary holes.

WARNING: When drilling through the frame rail pay special attention to the back (inside leg) of frame rail for fuel lines, brake lines or any wiring that may be affixed to the opposite side to ensure that no damage to anything while drilling through.

Step 3: Once both sides of the frame rail are drilled to attach the custom brackets, secure using the provide 5/8-11x2.5" bolts (4 each side) and torque to 128 ft-lbs.

Installing the Tower to the Custom Brackets

Fig. 3



Step 1: The Stationary tower is held to the custom brackets by (3) 5/8-11x4.5" bolts (Fig. 3).

Step 2: The legs of the stationary tower can be installed individually or if there is the availability of an overhead crane the tower can be fully assembled and lifted to the mounts and installed. Torque (3) 5/8-11x4.5" bolts to 128ft-lbs on each leg after installation.

Note: If an overhead crane is available the tower assembly and headset can be fully assembled on the ground and hoisted to position the tower legs to the custom bracket.

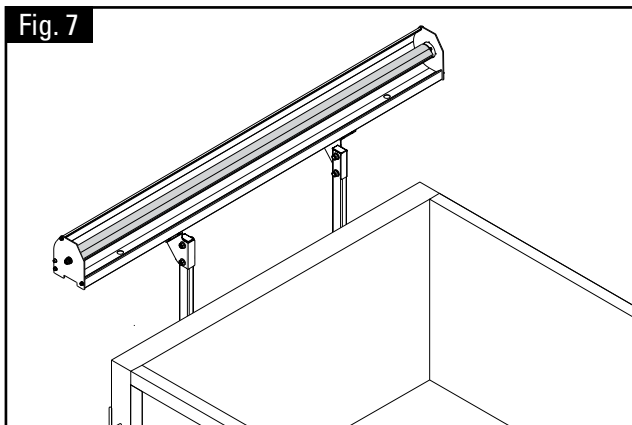
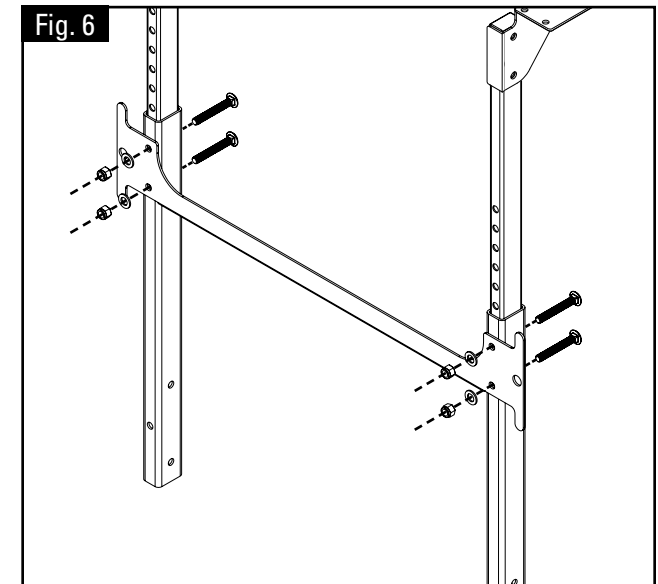
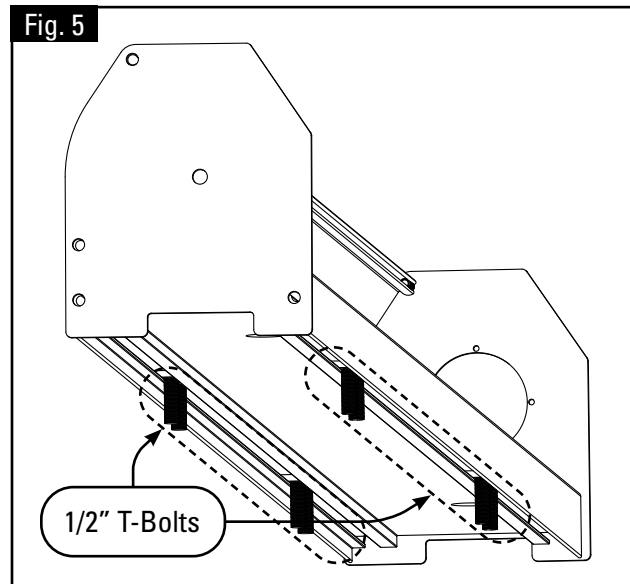
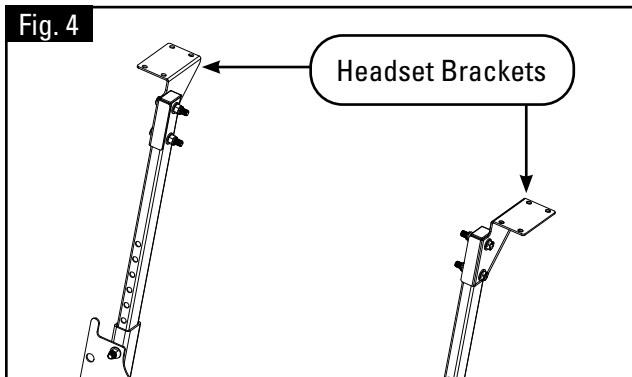
Three Mounting Bolts securing tower leg to Custom Bracket

Installing Head Set Brackets to Tower Legs

Step 1: Head Set brackets are affixed to the tower legs by (2) 5/8-11x3.5" bolts. Attach head set brackets to tower legs and torque bolts to 128 ft-lbs (Fig. 4).

Step 2: The headset will install to the tower leg upper brackets with (8) 1/2" T-Bolts that are in the bottom side of the housing (Fig. 5). These T-Bolts will slide side to side to align with the (4) holes in the bracket. Attach headset to both sides and torque bolts to 50 ft-lbs.

Step 3: The Stationary Tower has predrilled holes in the legs that allow you to set the height of the tower assembly and then lock in place with (4) carriage bolts. Mount the Cross Member to the lower legs, this sets the height of the tower. The proper height of the tower will allow the headset with tarp to be positioned just above the top of the container (Fig. 6).



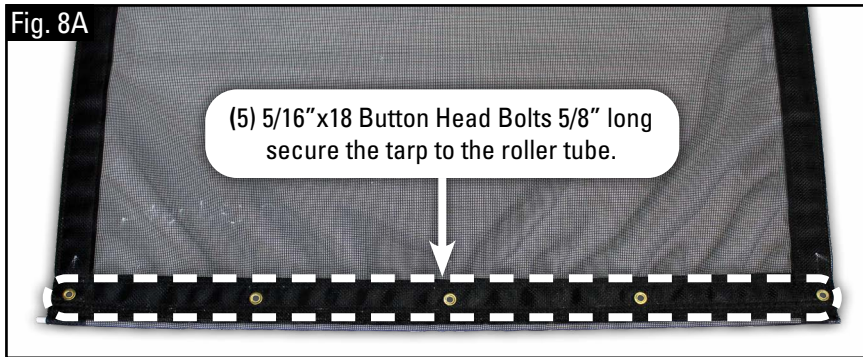
Step 4: Position the tower assembly with the headset with the bottom of the headset, the predrilled holes will let you install the provided carriage bolts to set the proper headset height (Fig. 7). Once the height is correct install the (4) 5/8" carriage bolts through the base tube and tower leg and torque nut to 128-ft-lbs.

INSTALLATION INSTRUCTIONS

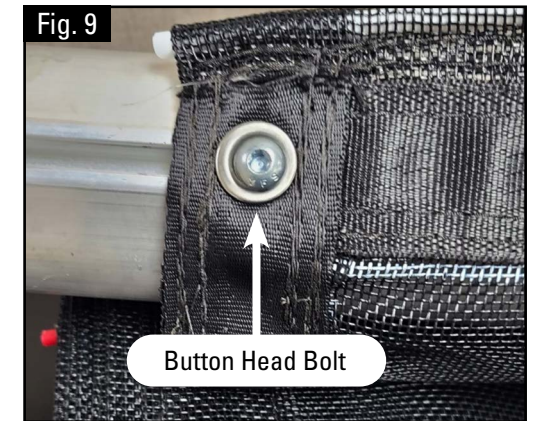
Switch-N-Go

Adding the Tarp and Pullbar

Step 1 (Option 1): Attach the five (5) 5/16" x 18 Button Head Bolts through the grommets and into the Threaded Groove slot of the roller tube (Fig. 8A & B).



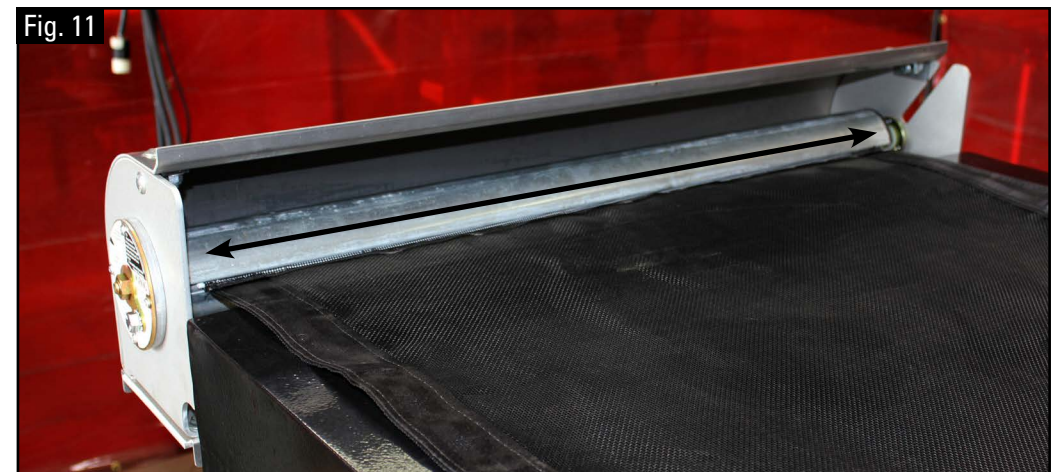
Step 2: Center the tarp on the roller tube and tighten bolts to secure tarp (Fig. 9).



Step 1 (Option 2): Install the tarp by aligning the Roller Tube groove with the Slot in the Housing (Opposite of the Ratchet Plate). Take the end of the tarp with the Hemtube and insert in to the system housing (Fig. 10).



Step 2: Carefully slide the tarp through the Keder Groove until centered (Fig. 11).



INSTALLATION INSTRUCTIONS

Switch-N-Go

Adding the Tarp and Pullbar

Step 3: With the tarp centered in the roller tube, extend the tarp past the end of the truck body. (Fig. 12).

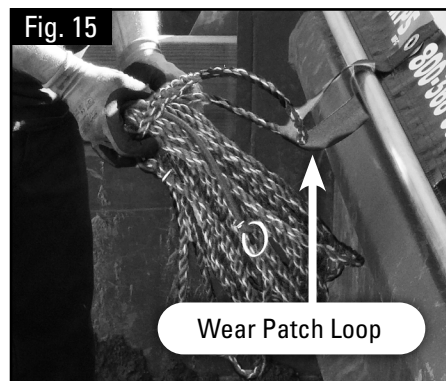
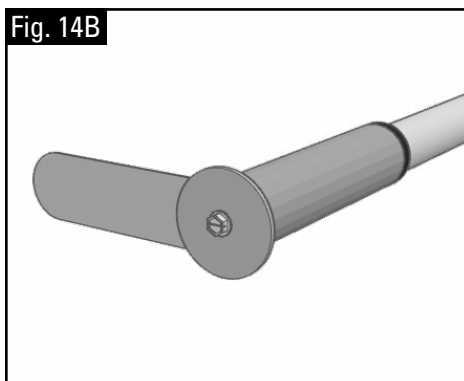
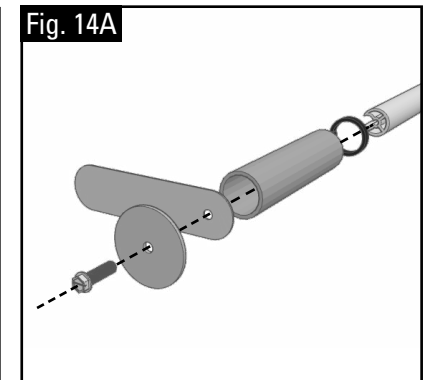
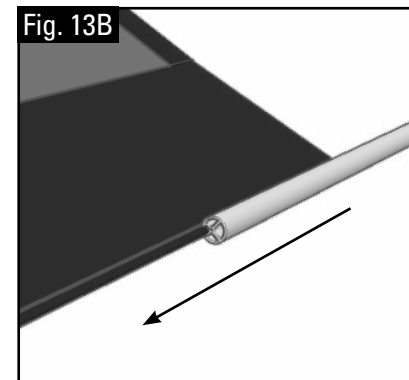
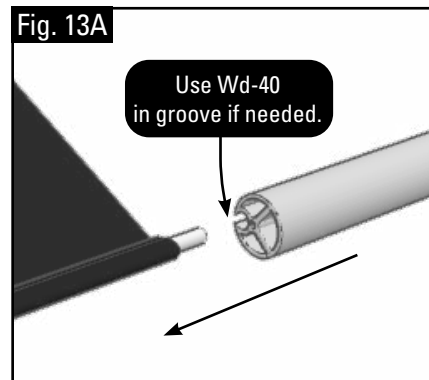
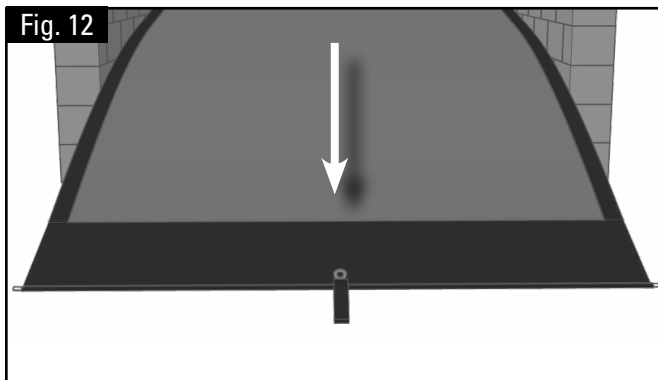
Step 4: With one side of the Pullrod Hardware kit preinstalled, slide the open end of the pullrod on to the tarp. Make sure hemtube fits in slot (Fig. 13A & B).

Note: Use WD-40 to lubricate pullrod groove.

Step 5: With the pullrod installed, now attach the Pullrod Hardware kit and then secure to the pullrod with the provided hardware (Fig. 14A & B).

Step 6: Install the Pull Rope through the Wear Patch Loop (Fig. 5).

Step 7: Make sure the tarp is extended all the way and tied off on the rope hooks or other predetermined location at the end of the truck body (Fig. 16). This will allow you to safely set the spring tension in the roller tube.

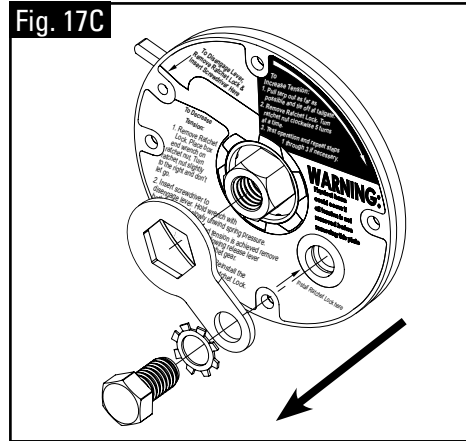


INSTALLATION INSTRUCTIONS

Switch-N-Go

Adding Spring Tension to Roller Tube using Ratchet

Step 1: Using a Ratchet Tool or 3/4" Box End Wrench, remove the Ratchet Lock Nut, Star Lock Washer and Ratchet Lock (Fig. 17A, B & C).



Ratchet Operation Quick Links

PDF:

https://www.pulltarps.com/wp-content/uploads/2019/04/Pulltarps_RatchetRollerTube_Instructions.pdf

YouTube:

<https://youtu.be/bsMGvxl14Vo?si=ZdZrNIK1NdXjwKx>

Step 2: With the included Ratchet Wrench, turn the ratchet nut clockwise to the appropriate number of rotations (Fig. 18A, B & C).

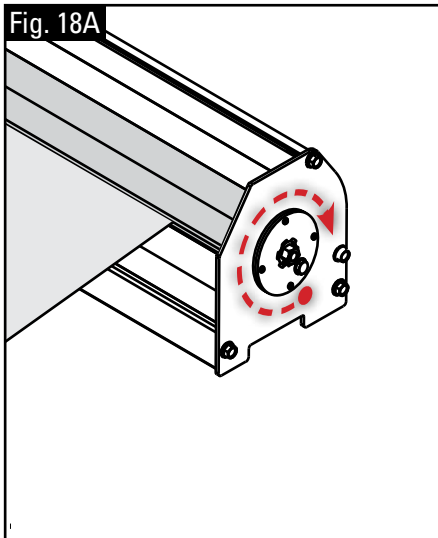


Fig. 18C	Approximate pre-load rotations or winds.			
Tarp Length	13 feet	18 feet	25 feet	30 feet
Winds or Rotation (360° = 1 rotation)	25/30	30/35	35/40	45/50
Flaps	Longer taps with flaps may require 5 to 10 additional turns			

NOTE: DO NOT EXCEED 65 WINDS.

Tarp must be fully extended when adding tension to the spring.

INSTALLATION INSTRUCTIONS

Switch-N-Go

Adding Spring Tension to Roller Tube using Ratchet

Step 3: Test the spring tension by having a team member cycle the tarp in and out, and if tarp returns to the housing, no more winds are needed. If more winds are needed, repeat Steps 3-5 then add 5 winds and test again (Fig. 19).



Step 4: Reinstall the Ratchet Lock (Fig. 20A & B).



INSTALLATION INSTRUCTIONS

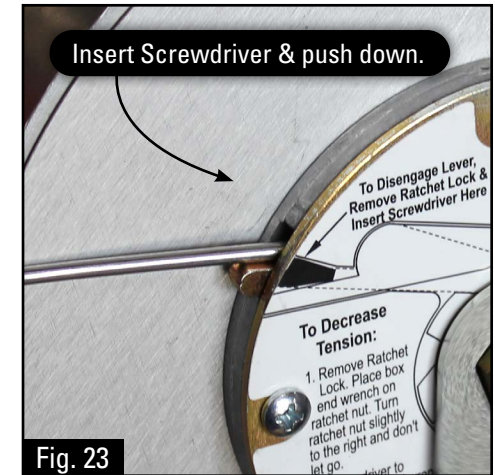
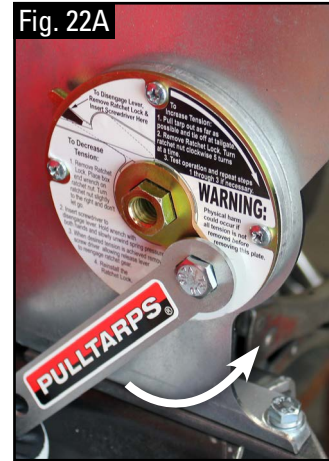
Switch-N-Go

Releasing Spring Tension from Ratchet

Step 1: Fully extend tarp and tie off on the Tailgate (Fig. 21).



Step 2: Remove the Ratchet Lock Nut and Star Lock Washer (Fig. 22A & B).



Step 3: Insert screwdriver to disengage lever (Fig. 23).

Step 4: Hold wrench and slowly unwind spring pressure (Fig. 24).



Step 5: When desired tension is achieved remove screwdriver, allowing release lever to reengage ratchet gear (Fig. 25A & B).



Step 6: Reinstall the Ratchet Lock (Fig. 26).

